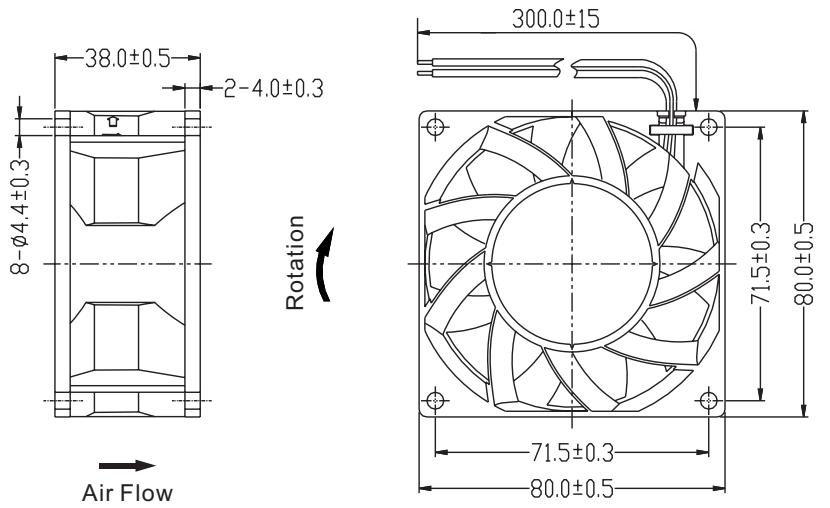


80x80x38mm



Unit: mm

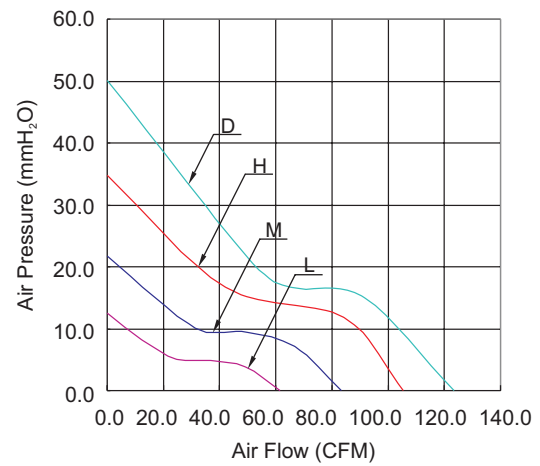
General Specification:

- Frame and Impeller : Thermal Plastic , UL 94V-0
- Lead Wires : UL Type
(+) : Red (-) : Black
- Operation Temperature : -10℃~70℃、
35%~85%RH
- Storage Temperature : -40℃~80℃、
35%~85%RH

Motor Protection:

- Impedance Protected
- Reverse Polarity Protected

Performance Curves



Listed Model	Bearing System	Rated Voltage	Operation Voltage	Rated Current	Rated Speed	Air Flow	Air Pressure	Noise Level	Available Features (Optional)				Weight
		VDC	VDC	A	RPM	CFM	mmH ₂ O	dBA	Tachometer Output	Rotation Detector	Thermal Control	Pulse Width Modulation	g
RGD8038B1	Ball	12	7.0~13.8	2.80	9,000	123.3	50.0	67	•	•		•	180
RGH8038B1			7.0~13.8	1.55	7,500	105.2	34.8	63	•	•		•	
RGM8038B1			7.0~13.8	0.85	6,000	83.4	21.8	57	•	•		•	
RGL8038B1			7.0~13.8	0.45	4,500	61.5	12.4	49	•	•		•	
RGD8038B2	Ball	24	12.0~27.6	1.40	9,000	123.3	50.0	67	•	•		•	180
RGH8038B2			12.0~27.6	0.78	7,500	105.2	34.8	63	•	•		•	
RGM8038B2			12.0~27.6	0.45	6,000	83.4	21.8	57	•	•		•	
RGL8038B2			12.0~27.6	0.25	4,500	61.5	12.4	49	•	•		•	
RGD8038B4	Ball	48	24.0~55.2	0.75	9,000	123.3	50.0	67	•	•		•	180
RGH8038B4			24.0~55.2	0.45	7,500	105.2	34.8	63	•	•		•	
RGM8038B4			24.0~55.2	0.28	6,000	83.4	21.8	57	•	•		•	
RGL8038B4			24.0~55.2	0.18	4,500	61.5	12.4	49	•	•		•	

Notes: ©All readings are typical values at rated voltage.
©Specifications are subjected to change without prior notice.