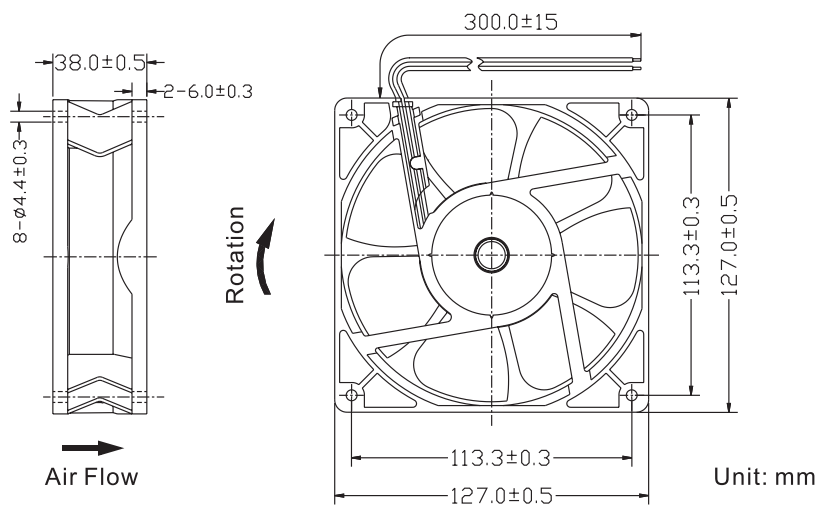


127x127x38mm



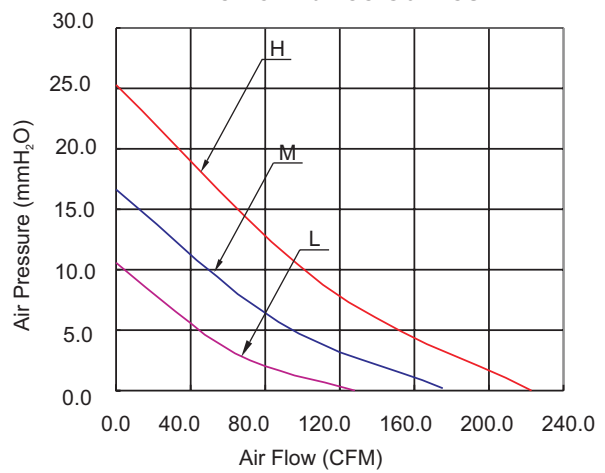
General Specification:

- Frame and Impeller : Thermal Plastic , UL 94V-0
- Lead Wires : UL Type
(+) : Red (-) : Black
- Operation Temperature : -10°C~70°C、
35%~85%RH
- Storage Temperature : -40°C~80°C、
35%~85%RH

Motor Protection:

- Impedance Protected
- Reverse Polarity Protected

Performance Curves



Listed Model	Bearing System	Rated Voltage	Operation Voltage	Rated Current	Rated Speed	Air Flow	Air Pressure	Noise Level	Available Features (Optional)				Weight
		VDC	VDC	A	RPM	CFM	mmH ₂ O	dBA	Tachometer Output	Rotation Detector	Thermal Control	Pulse Width Modulation	g
RDH1338B1	Ball	12	7.0~13.8	2.80	5,000	222.9	25.3	61	•	•	•	•	310
RDM1338B1			7.0~13.8	1.80	4,000	175.1	16.7	55	•	•	•	•	
RDL1338B1			7.0~13.8	1.00	3,000	128.1	10.5	49	•	•	•	•	
RDH1338B2	Ball	24	12.0~27.6	1.50	5,000	222.9	25.3	61	•	•	•	•	
RDM1338B2			12.0~27.6	1.00	4,000	175.1	16.7	55	•	•	•	•	
RDL1338B2			12.0~27.6	0.50	3,000	128.1	10.5	49	•	•	•	•	
RDH1338B4	Ball	48	24.0~55.2	1.00	5,000	222.9	25.3	61	•	•	•	•	
RDM1338B4			24.0~55.2	0.60	4,000	175.1	16.7	55	•	•	•	•	
RDL1338B4			24.0~55.2	0.35	3,000	128.1	10.5	49	•	•	•	•	

Notes: ©All readings are typical values at rated voltage.
©Specifications subjected to change without prior notice.